



PUSHBUTTON CONTROL PANEL: PENDANT CONTROL STATION 2 PUSHBUTTONS + EMERGENCY STOP



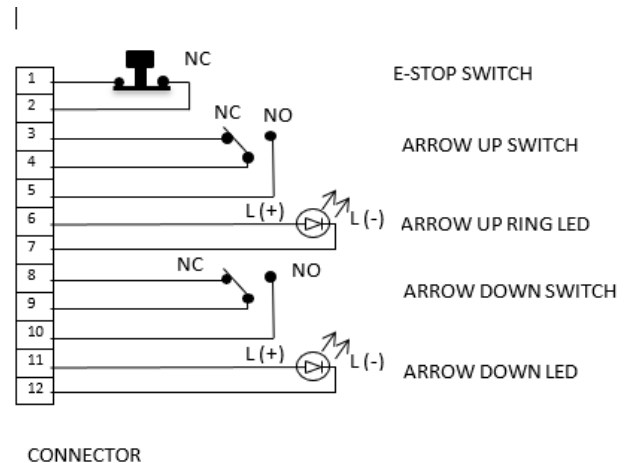
*Pushbutton Pendant Control Station
2 Pushbuttons + Emergency Stop*

P/N 0019590-003



DESCRIPTION

CME designs and manufactures several off the shelf and modified COTS Pendant Control Stations for ready-to-use, industrial applications. Pendant control station provides intuitive operations. It is mechanically interlocked + 1 trigger action latching Emergency stop (E-STOP) with interlock for enhanced safety. The single column switches are designed for left or right-handed; Red LED color Button illumination. Designed to support standard or medium duty control circuit applications, this UL Listed Pushbutton Control Panel (NITW. E506901 Industrial Control Panels) pendant also meets rigorous environments.



APPLICATIONS

Branch Circuit Protection by end-user's equipment or others protective Device. Control circuits supplied from separate source shall be provided with a disconnect means

The Pendant Control Station is lightweight, compact in an ergonomic footprint with a shape that fits firmly in the hand. This product is UL Listed as ITW.E506901. The pendant control applications include the following:

- Overhead fixed hoists
- Beam hoists
- Electric power lifts, platform lifts
- Cranes, tower cranes

KEY FEATURES & BENEFITS

- Rugged, UL Listed molded enclosure, shock and corrosion resistant
- Single column switches designed for left or right-handed; Red LED color Button illumination; Emergency Stop pushbutton with interlock for enhanced safety
- NEMA 4 TYPE I; IP65 rated; Water tight; life rated 50K hr
- Conductor Cable/Connector 12 position connector
- Weight/Dimensions: <0.7 lb., < 120 long x 65 x 40 mm (4.72 x 2.55 x 1.57 in)
- Temperature:
 - -20°C to +55°C (OPERATING)
 - -40°C TO +65°C (NON-OPERATING)
- Limited 1 year warranty; Additional cable accessories can be ordered

Use Our Expertise to Design and Build Your Solutions!

PENDANT CONTROL STATION, 2 PUSHBUTTONS + EMERGENCY STOP _____

SPECIFICATIONS

TECHNICAL SPECIFICATIONS OF INTERFACE CONNECTOR

ELECTRICAL	
VOLTAGE RATING	30V
CURRENT RATING	1.5 AMPS
ENVIRONMENTAL	
TEMPERATURE LIMITS	-40°C TO +105°C (NON-OPERATING)
WATERPROOF RATING	IP68
APPROVALS	UL Recognized
INTERFACE MATE CONNECTOR	Amphenol LTW P/N: M12A-12BFFA-SL7001

TECHNICAL SPECIFICATIONS OF SWITCHES (E-Stop)

FUNCTION	SPST N.C.
RATING	3A 120VAC, 1.5A 240VAC, 4A 24VDC
CONTACT RESISTANCE	≤ 50 mΩ, as per DIN IEC 60512-2-3
INSULATION RESISTANCE	250V as per EN IEC 60947-1
DIELECTRIC STRENGTH	2500VAC, 50Hz, 1 min
ACTUATOR FORCE	22N +/-4N
ACTUATOR TRAVEL	4mm
ELECTRICAL LIFE	50,000 Cycles
MECHANICAL LIFE	50,000 Cycles
INGRESS PROTECTION	IP65
TEMPERATURE	-25°C to +65°C
APPROVALS	EN IEC 60947-5-5 UL Listed (E341760)

TECHNICAL SPECIFICATIONS OF ILLUMINATION SWITCHES (Arrow Up, Arrow Down)

FUNCTION	SPST N.O. and N.C.
RATING	3A @28VDC, 3A @250VAC
ILLUMINATION VOLTAGE CURRENT RATED RED	12V 20mA
CONTACT RESISTANCE	Initial: 50mΩ Max. at 1A 12VDC
INSULATION RESISTANCE	1000MΩ Min. at 500VDC
DIELECTRIC STRENGTH	2,000V RMS @ sea level
ELECTRICAL LIFE	50,000 Cycles at full load
STANDARD & CERTIFICATIONS	UL94V-0, E44145
TEMPERATURE	-20°C to +55°C
INGRESS PROTECTION	IP67